

### Technical data sheet Pedestals

**Application:**

With the height-adjustable plots made of robust plastic, any kind of outdoor raised flooring are laid quickly and saves a lot of money. The stepless height adjustment from 25mm - 40mm is easily adjustable. This type of laying allows the rainwater to run off freely through the joints in the subsurface. Between the raised floors, cables and pipes can be stowed effortlessly. The joints can be easily broken off, so you can use the plots for edge areas or it can be used without any joints.

**Composition of material:**

Polypropylene and rubber. Recyclable material. Non dangerous.

**Technical properties:**

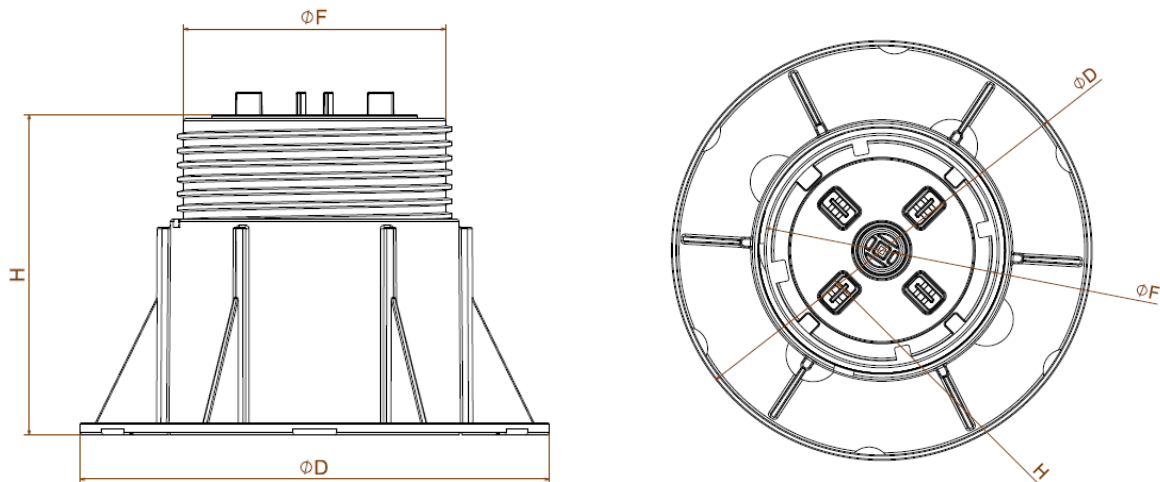
Central compression loading limit resistance: 19,52 KN  
Eccentric compression loading limit resistance: 11,35 KN

**Lying of the product:**

The product is simply laid on the laying area, with no need of any glue or fixing.

### Product features:

Product name	Base diameter (mm) $\varnothing D$	Head diameter (mm) $\varnothing F$	Min. height (mm)	Max. Height (mm) H	Base thickn. (mm)	Tabs height (mm)	Tabbs thikn. (mm)	Weight (g)
MP1	195	115	25	40	5	10	2, 3, 4, 5	175
MP2	195	115	40	70	5	10	2, 3, 4, 5	220
MP3	195	115	60	100	5	10	2, 3, 4, 5	270
MP4	195	115	90	160	5	10	2, 3, 4, 5	335
MP5	195	115	150	270	5	10	2, 3, 4, 5	480
<b>Tolerance</b>	+/- 1,0	+/- 1,0	+/- 0,5	+/- 0,5	+/- 0,2	+/- 0,2	+/- 0,5	+/- 5%



### Packaging and storage:

Product name	Pcs. / box	Pcs / pallet (pallet height 270cm)	Pcs. / pallet (pallet height 220cm)	Measures box (cm)
MP1	36	1944	1584	80x60x9
MP2	36	1296	1080	80x60x13,5
MP3	36	864	720	80x60x19,5
MP4	36	576	504	80x60x28,5
MP5	36	360	288	80x60x46,5